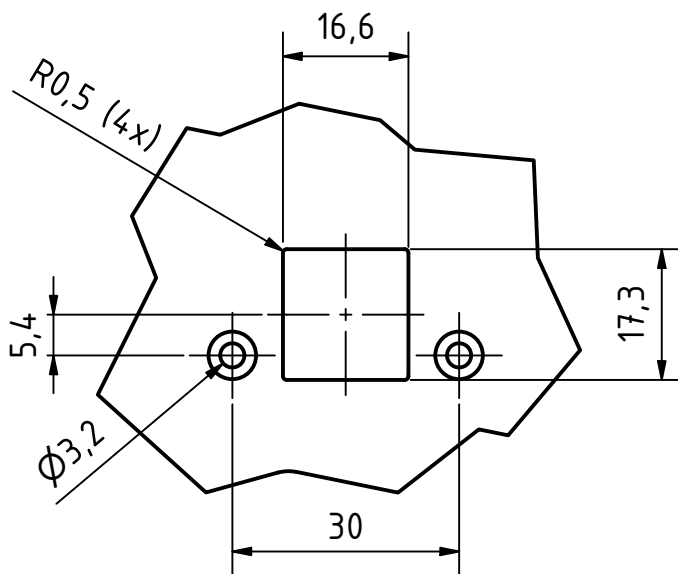


tolerances DIN ISO 2768-mK		surfaces EN ISO 1302		scale 2 : 1		weight 0,002 kg	
all dimensions in mm		edges ISO 13715		material			
prepared	Axel Isele	signature		author	Axel Isele	date	11.10.2021
approved				revision	200		
authorized	M. Bittner	project		DIBox_BB_ETH1			
		drawing title		Dimensions			
		drawing no		DIBox-BBETH1.200		sheet 1	
		assy part no				of 2	
		info@ebs-systart.com		consider protection memo from DIN ISO 16016		DIN A3	



Recommended cutout for panel-mounting  
Use 2x M3

				tolerances DIN ISO 2768-mK	surfaces EN ISO 1302	scale 1 : 1	weight 0,020 kg		
				edges ISO 13715	all dimensions in mm	material			
				name	signature	author Axel Isele	date 11.10.2021	revision 200	
				prepared	Axel Isele	project			
				approved		DIBOX_BB_ETH1			
				authorized	M. Bittner	drawing title			
						Dimensions			
						drawing no DIBOX-BBETH1.200	sheet 2		
						assy part no	of 2		
rev.	description	date	author	info@ebs-systart.com			consider protection memo from DIN ISO 16016		DIN A4